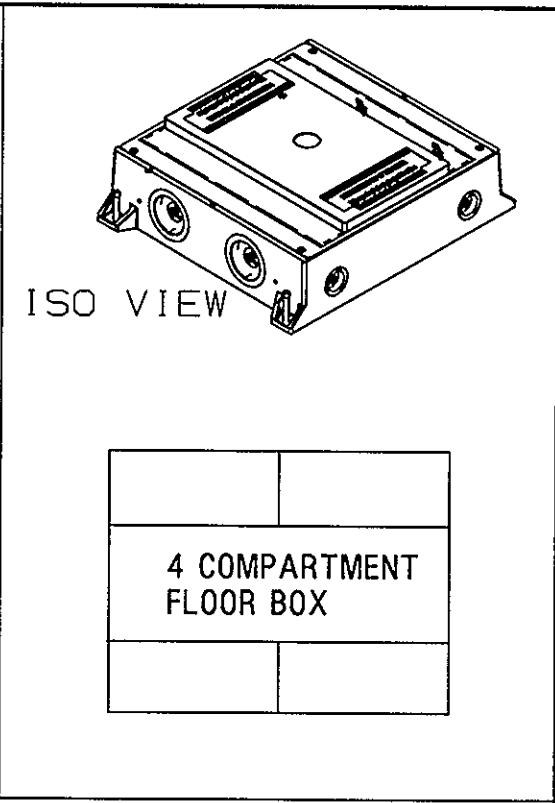
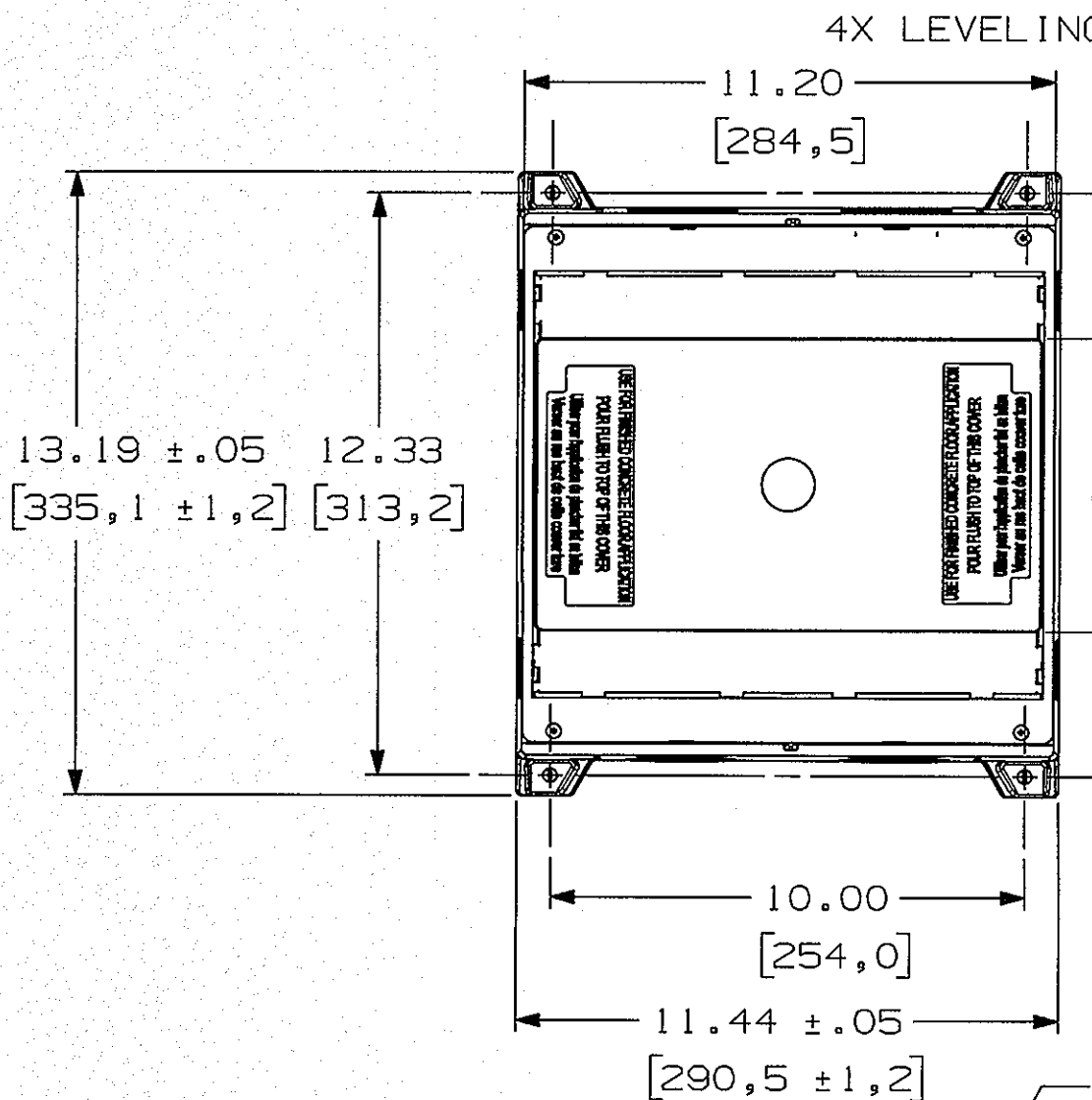


M-12142 4



LIST OF PARTS		
DESCRIPTION	MATERIAL	FINISH
FLOOR BOX	CAST IRON	GRAY
TOP MOUNTING ASSY.	STEEL	ZINC PLATE
#8-32 FLAT HEAD SCREW	CRS	ZINC PLATE
#12 AWG GROUND WIRE & SCR ASSY.		
3/4" KNOCK OUT PLUG	STAINLESS STEEL	
1-1/2" KNOCK OUT PLUG	STAINLESS STEEL	
PRE-FOUR LEVELING SCREW	STEEL WIRE	ZINC PLATE
DIVIDER 4 GANG	PET	
WIRE BARRIER	STEEL	PRE-GALVANIZED
#6-32 BINDING SCREW	CRS	ZINC PLATE
METAL CONCRETE COVER	STEEL	PRE-GALVANIZED
PLASTIC CONCRETE COVER	POLYPROPYLENE	

SYM	REVISIONS	APP	DATE
4	11/04/14 CHANGE CAT.NO. TO CFB4G30C1 PER DCN 20883 CAC	CAC	11/04/14
3	06/10/14 UPDATED MODELS ADDED 4 COMPARTMENT VIEW PER DCN 20574 CAC		06/10/14
2	10/07/13 UPDATED ASSEMBLY & TOLERANCES PER DCN 20073		10/07/13
1	1/19/12 RELEASE FOR PRODUCTION PER DCN 18427 MJM TLS	TLS	1/19/12

THE DESIGN AND DIMENSIONS OF THE PRODUCT SHOWN ON THIS DRAWING ARE SUBJECT TO CHANGE WITHOUT NOTICE

TITLE
4 GANG BOX ASSY.
CAST IRON

TOLERANCES UNLESS OTHERWISE SPECIFIED .XX = ±.01 .XXX = ±.005 ANGLES = ±2°	WIRING DEVICE-KELLEMS HUBBELL INCORPORATED SHELTON, CT	
	DR. BY MJM	APP. BY
	TR. BY	SCALE 1/4
	CHK. BY	DATE 1/11/12

CATALOG NO
CFB4G30C1

NOTES: UNLESS OTHERWISE SPECIFIED:
1. DIMENSIONS SHOWN ON THIS DRAWING ARE NOMINAL VALUES FOR GENERAL USE ONLY. ACTUAL PART TOLERANCES MUST BE OBTAINED FROM HUBBELL ENGINEERING.
2. PRODUCT IS cULus LISTED.
3. DIMENSIONS ARE IN INCHES [mm].

DIMENSION SHEET FOR CAT. NO. SEE FIELD OF DRAWING REPAIRABLE NON-REPAIRABLE B M-12142 4